

# Auto Feed Portable Bevelling Machine ABM 26



This new portable beveller is designed for bevelling sheet metal plates in the auto feed mode. It means that ABM 26 machine can travel along plate's edge and perform bevelling without any assistance from an operator. All that is required to do is to position the guide track along an edge, select required bevelling angle, place ABM 26 machine on the track, set the travel speed and start milling.

As a tool ABM 26 machine uses a purpose designed milling head equipped with a set of high quality carbide inserts. Thanks to its unique properties this tool can mill all types of metal including stainless, aluminum and composites.

It can also mill plates in both directions, what eliminates unnecessary "empty journeys". ABM 26 is equipped with a microprocessor based control system to protect the machine, the tool and most importantly the operator. The length of the guide track can be extended to any required lengths.



Max. bevel width depending on the angle					
$\beta$	0°	30°	45°	60°	75°
b	35 mm	29 mm	26 mm	29 mm	35 mm

**ABM 26 – Technical specification**

Order number:	FRE-0152-00-00-00-0
Power supply:	230 – 240 V / 50-60 Hz
Motor power:	1,5 kW
Feed speed (for steel):	max. 500mm (19 11/16")/min
Bevelling width:	0 - 35 mm (1 3/8")
Angles range:	0° - 60° *
Length of the guide track in standard equipment:	2m (78 3/4") in 1m (39 3/8") sections
Feed system:	AUTO
Length x Width x Height:	370 x 520 x 410 mm ** (14 9/16 x 20 1/2 x 16 1/8 ")
Weight:	55 kg (118 lbs 10 oz) ***

\* - up to 75 ° on customer's request

\*\* - without guide track

\*\*\* - with 2-section guide track and positioners /3 pcs/

**ABM 26 – Standard equipment**

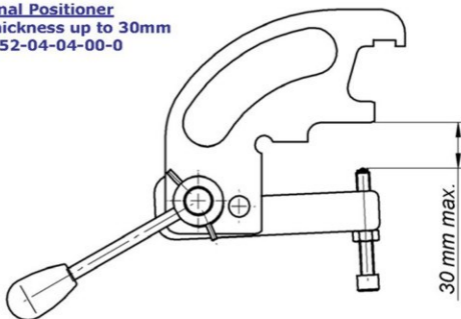
Milling head	1 pcs
Special Geometry Cutting Insert	7 pcs
Guide track, L=1200mm (47 1/4")	2 pcs
Track clamps for plate thickness up to 35mm	3 pcs
Angle attachment (0°, 15°, 30°, 45°)	4 pcs

**ABM 26 – Optional & spare equipment**

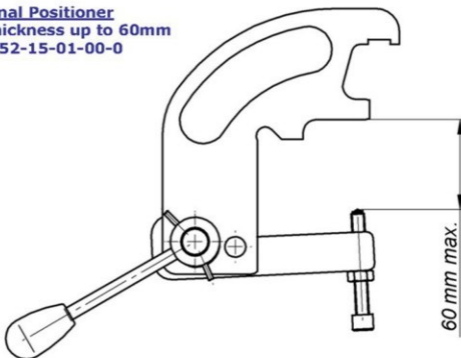
Milling head	GLW-000002
Special Geometry Cutting Insert (1 piece), sold 10pcs/box	PLY-000069
Guide track (1 segment) L=1200mm (47 1/4")	SGM-0152-04-06-00-0
Track clamp for plate thickness up to 35mm	UST-0152-04-04-00-0
Track clamp for plate thickness up to 60mm	UST-0152-15-01-00-0
0° angle attachment	WSP-0152-03-03-00-0
15° angle attachment	WSP-0152-03-05-00-0
20° angle attachment	WSP-0152-03-07-00-0
25° angle attachment	WSP-0152-03-09-00-0
30° angle attachment	WSP-0152-03-02-00-0
45° angle attachment	WSP-0152-03-01-00-0
55° angle attachment	WSP-0152-03-08-00-0
60° angle attachment	WSP-0152-03-04-00-0
Any additional angle attachment up to 75°, on customer's request	

# Positioners for ABM 26 PRO

**Additional Positioner**  
plate thickness up to 30mm  
UST-0152-04-04-00-0



**Additional Positioner**  
plate thickness up to 60mm  
UST-0152-15-01-00-0



## Additional Rail For ABM 26 PRO



**Additional  
Rail For ABM 26 PRO**



# BM-20 Bevelling Machine

The BM-20 is easy to use, portable heavy duty machine designed for bevelling steel plates and pipes prior to welding.

This bevelling machine is fitted with two milling heads each holding six inserts allowing smooth operation and exceptional efficiency.

One set of inserts can last for up to 2000 meters of bevelled steel edge and allows to work with an output around 1.5 meters/minute (depending on the amount of the metal being removed).

The BM-20 incorporates many safety features. It has a state of the art electronic control module protecting the operator, the machine and the tooling. BM-20 is equipped with guide rolls, which make it easy and light to operate.





Plate beveling



Plate facing off (option)



Pipe beveling (option)



### BM-20 Technical specification

A mm (")	B mm (")	R mm (")	S mm (")	Dmin mm (")	a (°)	b (°)	g (°)	d = 0°	weight kg (lbs)
420 16 1/8	330 13	305 12	0-20 0-3/4	160 6 1/8	45-75	15-60	75-30	yes	20,0 43

Power supply: 230 V AC / 50 Hz or 110 V AC / 60 Hz  
Induction motor with increased startup current.

Power: 1.1 kW

Motor speed: 2820 RPM

Tooling: two milling heads  
with 12 square cement inserts

Product Code 230VAC:

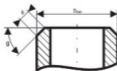
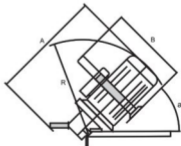
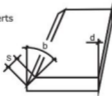
FRE-0075-10-20-01-0

Product Code 115VAC:

FRE-0075-10-10-00-0

Optional equipment:

- Facing off attachment
- Pipe beveling attachment
- R-3 rounding attachment



Pipe beveling option



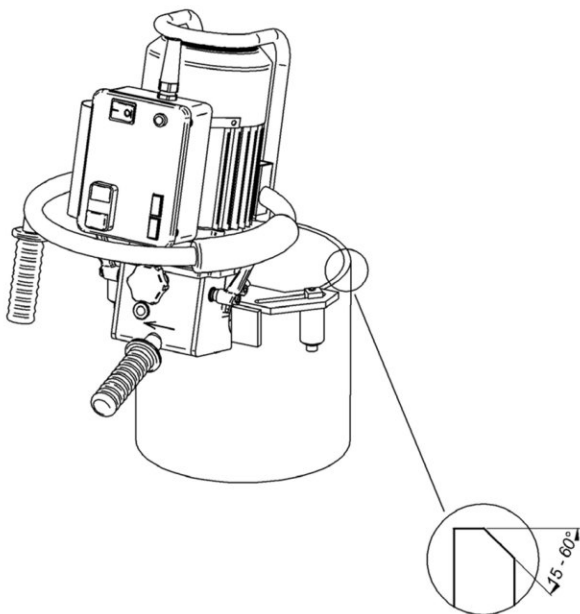
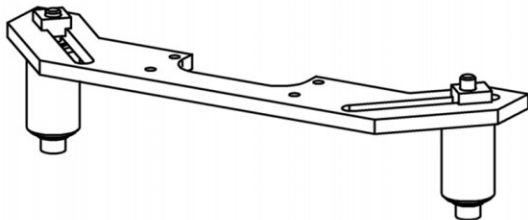
R3 - rounding

# BM-20 Pipe Beveling

## Standard pipe attachment

Minimum D=160 mm

ZSP-0075-31-00-00



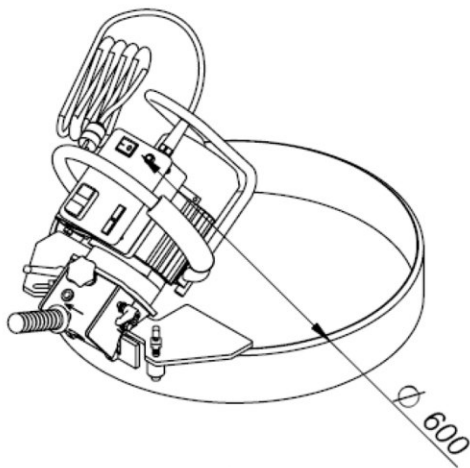
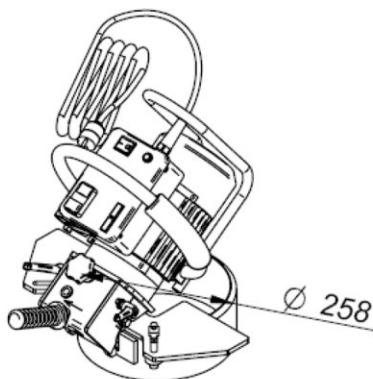
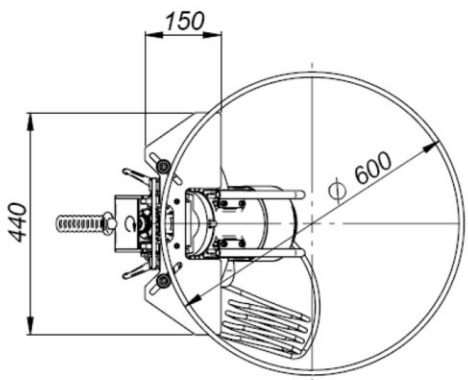
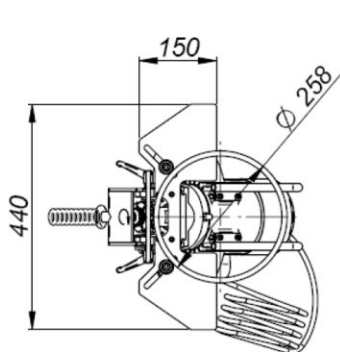
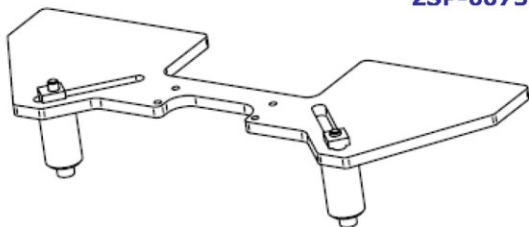
# BM-20 Pipe Beveling

## Modified pipe attachment

Minimum D=258 mm

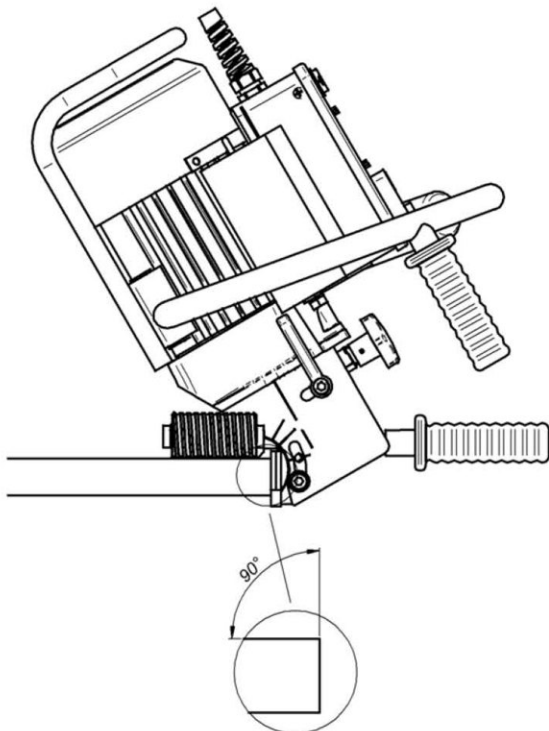
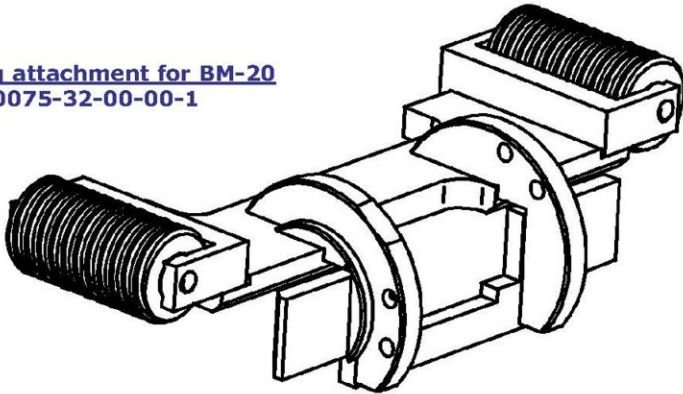
Maximum D=600 mm

ZSP-0075-31-00-00-1



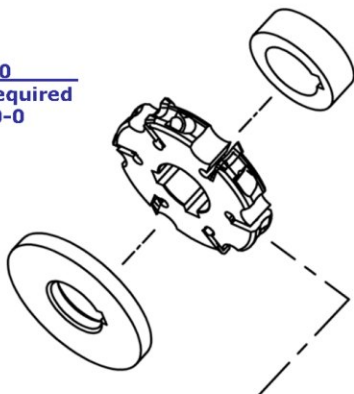
# Edge Facing off for BM-20

0 Deg attachment for BM-20  
ZSP-0075-32-00-00-1

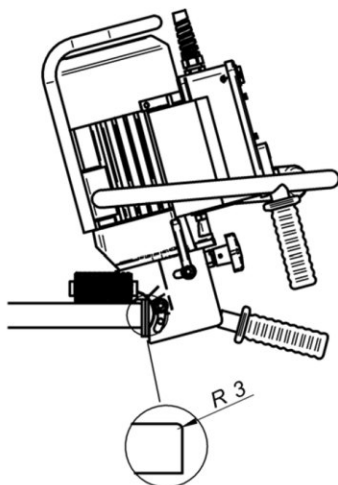
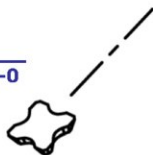


# R3 Edge Milling for BM-20

R3 tooling for BM-20  
6 pcs of R3 insert required  
KPL-0059-42-00-00-0



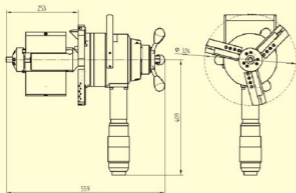
R3 insert (1 piece)  
PLY-0075-00-05-00-0



# PRO 10 PB PORTABLE PIPE BEVELER



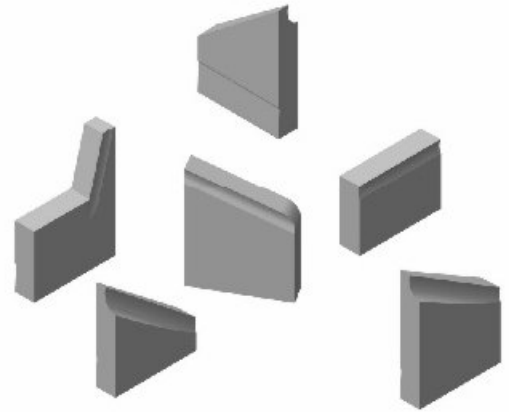
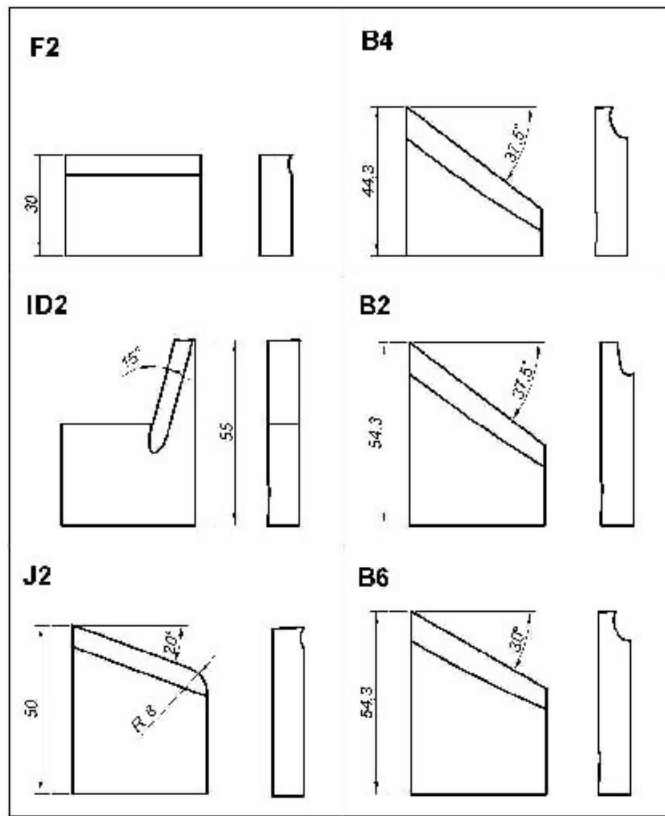
PRO10-PB pipe bevelling machine is designed for portable use on pipe machining operations. It allows efficient use by single operator. It is a typical heavy duty ID mounting pipe beveler. PRO10-PB is able to bevel, face off and counterbore simultaneously or in separate operations



## Technical data:

<b>Pneumatic drive:</b>	1,5 kW
<b>Air requirement:</b>	0.63 MPa
<b>Air consumption:</b>	1750 NI/min
<b>RPM's:</b>	8-15
<b>Machining range:</b>	
Min ID	40 mm
Max OD	273 mm
<b>Wall thickness:</b>	20 mm
<b>Weight:</b>	31,5 kg

## STANDARD TOOLBITS



Custom made versions  
of toolbits available

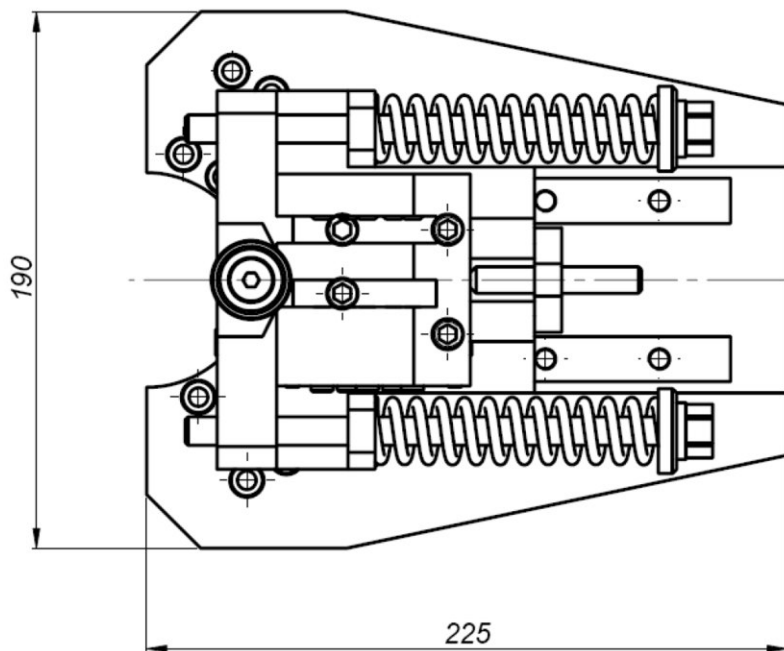
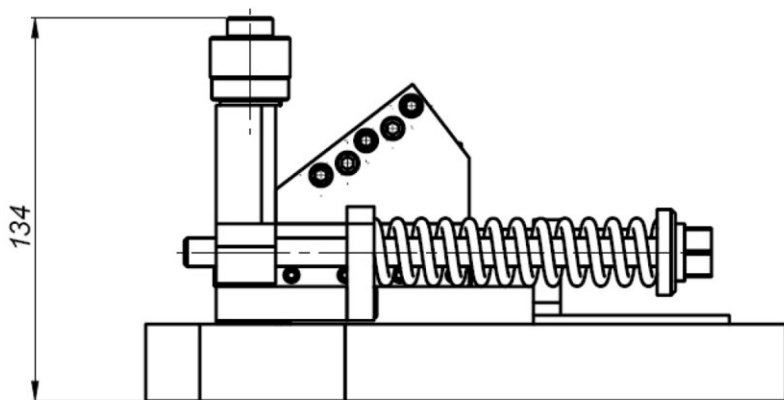
## OVAL ATTACHMENT



The option enables bevelling the oval  
pipes with retaining the uniform phase.

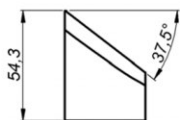
# PRO 10 PB Oval Pipe Attachment

OPA – Oval pipe attachment for PRO 10 PB  
PRK-0206-01-00-07-0



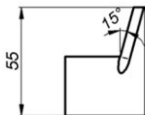
# TOOL BITS FOR PRO 10 PB

**B2**



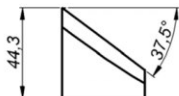
NOZ-0206-01-00-04-0

**ID2**



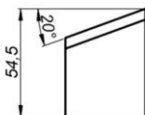
NOZ-0206-01-00-05-0

**B4**



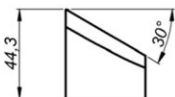
NOZ-0206-01-00-09-0

**ID4**



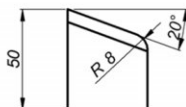
NOZ-0206-01-00-12-0

**B6**



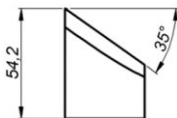
NOZ-0206-01-00-10-0

**J2**



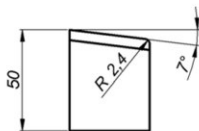
NOZ-0206-01-00-06-0

**B8**



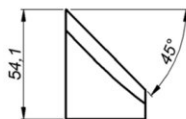
NOZ-0206-01-00-13-0

**J2.4**



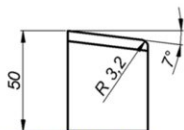
NOZ-0206-01-00-14-0

**B10**



NOZ-0206-01-00-11-0

**J3.2**



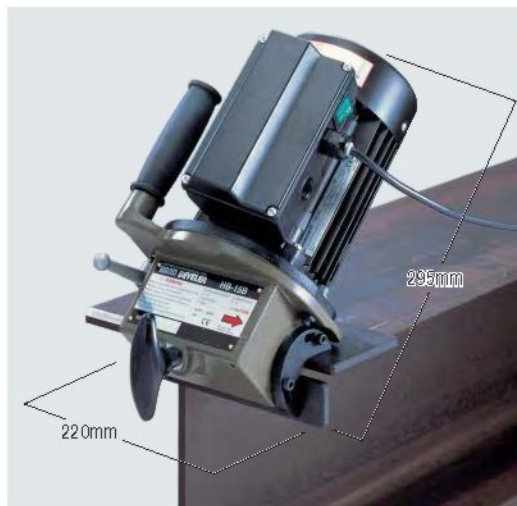
NOZ-0206-01-00-15-0

**F2**



NOZ-0206-01-00-02-0

# HAND BEVELER <sup>Model</sup> HB-15B *Beveling up to 15C*



15C

- Ideal for beveling before welding
- Use easy-to-replace super-solid cutting tips
- Each cutting tip has four working edges for good economy
- Finish a surface so fine that post-sanding is unnecessary
- Column R-section can be chamfered with optional attachment
- No damage of workpieces is expected as heat-hardening or oxidization will seldom happen

## Specifications

Model	HB-15B	
Power Source (Single phase)	115V AC	230V AC
Rated Power Consumption W	910	910
Rated Current A	10.5	4
No-load Speed min <sup>-1</sup> (rpm)	3,340	2,750
Chamfering Capacity	0 C - 15 C	
Chamfer Angle	15° ~ 45°	
Mass (Weight) kg	14	

## Standard accessories

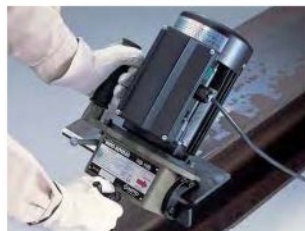
- Hex.Socket Screw/Key 4,5,6 mm: each 1 pc.
- T Wrench Key 3 mm: 1 pc.
- Spanner 24X27: 1 pc.
- TA9A068 Tip 12.7 sq., 12 pos./set. 1 set
- Hook spanner 25 ~ 28: 1 pc.

## Optional accessories

- TA9A728 Pipe Plate Assy for O.D. 5" to 32" (125mm to 800mm)



Beveling steel plates



Beveling I-beams